

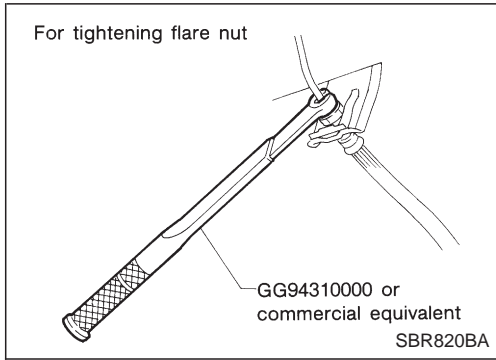
REAR AXLE & REAR SUSPENSION

SECTION **RA**

CONTENTS

PRECAUTIONS AND PREPARATION	1	Inspection	8
Precautions	1	Installation - 2WD and 4WD models without ABS -	8
Special Service Tools	1	Installation - 4WD models with ABS -	10
Commercial Service Tools	2	REAR SUSPENSION	12
REAR AXLE AND REAR SUSPENSION	3	Shock Absorber	13
ON-VEHICLE SERVICE	4	Leaf Spring	13
Rear Axle and Rear Suspension Parts	4	SERVICE DATA AND SPECIFICATIONS (SDS) ...	15
Rear Wheel Bearing	4	General Specifications	15
REAR AXLE	5	Inspection and Adjustment	15
Components	5		
Removal	6		


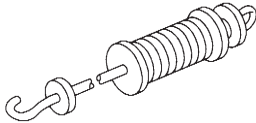
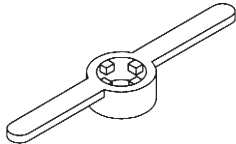
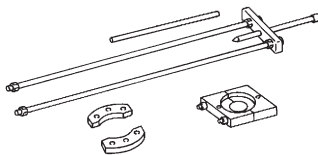
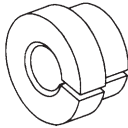
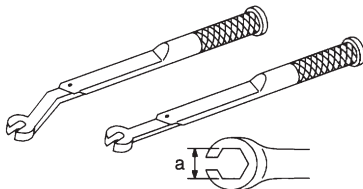
PRECAUTIONS AND PREPARATION



Precautions

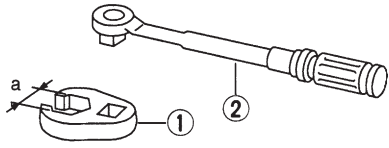
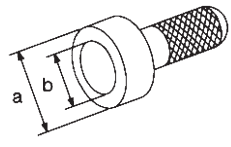
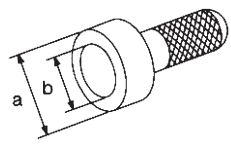
- When installing rubber parts, final tightening must be carried out under unladen condition* with tires on ground.
 - *: Fuel, radiator coolant and engine oil full. Spare tire, jack, hand tools and mats in designated positions.
- Use flare nut wrench when removing or installing brake tubes.
- After installing removed suspension parts, check wheel alignment and adjust if necessary.
- Always torque brake lines when installing.

Special Service Tools

Tool number Tool name	Description
KV40101000 Axle stand	Removing rear axle shaft  NT159
ST36230000 Sliding hammer	Removing rear axle shaft  NT126
ST38020000 Bearing lock nut wrench	Removing wheel bearing lock nut  NT160
KV40106500 Rear axle shaft bearing puller	Removing wheel bearing and ABS sensor rotor  NT683
ST37840000 Rear axle shaft guide	Installing rear axle shaft  NT162
GG94310000 Flare nut torque wrench	Removing and installing brake piping  NT406 a: 10 mm (0.39 in)

PRECAUTIONS AND PREPARATION

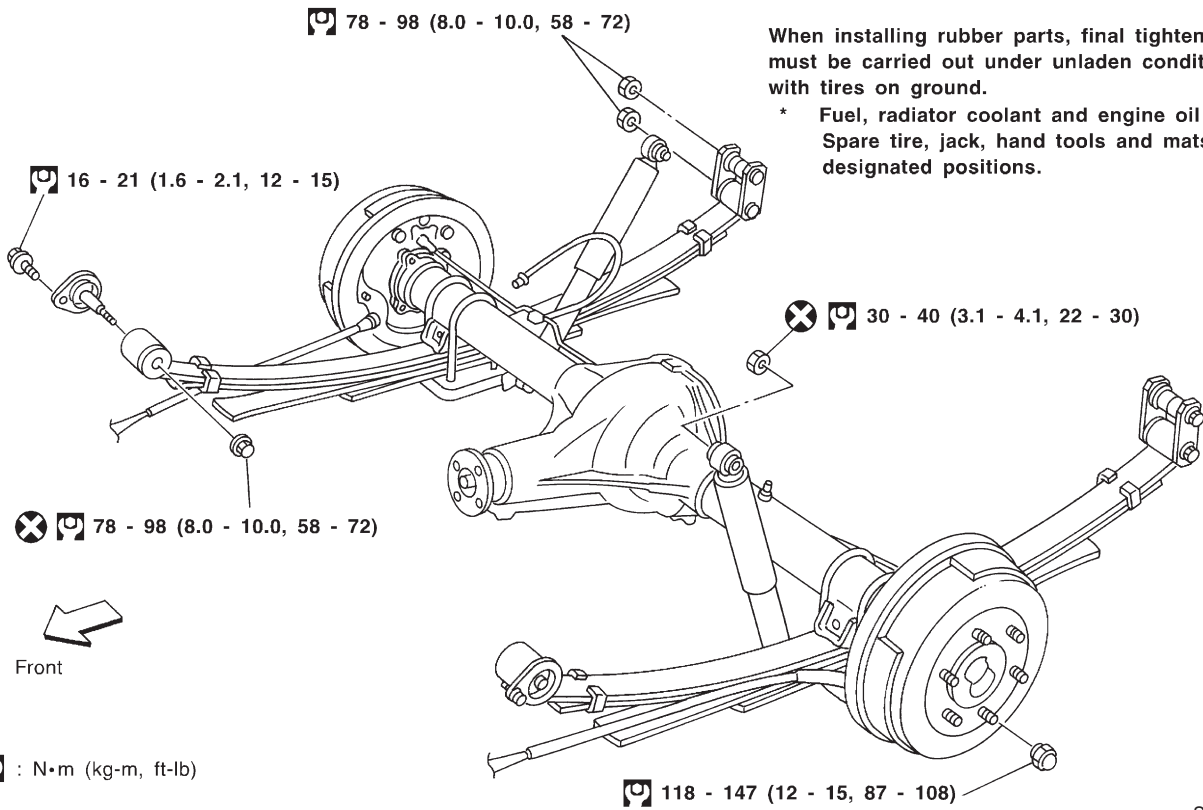
Commercial Service Tools

Tool name	Description
① Flare nut crowfoot ② Torque wrench	 <p>NT360</p> <p>a: 10 mm (0.39 in)</p>
Rear axle oil seal drift	 <p>NT115</p> <p>a: 74 mm (2.91 in) dia. b: 68 mm (2.68 in) dia.</p>
Rear axle oil seal drift	 <p>NT115</p> <p>a: 54.5 mm (2.146 in) dia. b: 34.5 mm (1.358 in) dia.</p>

REAR AXLE AND REAR SUSPENSION

2WD

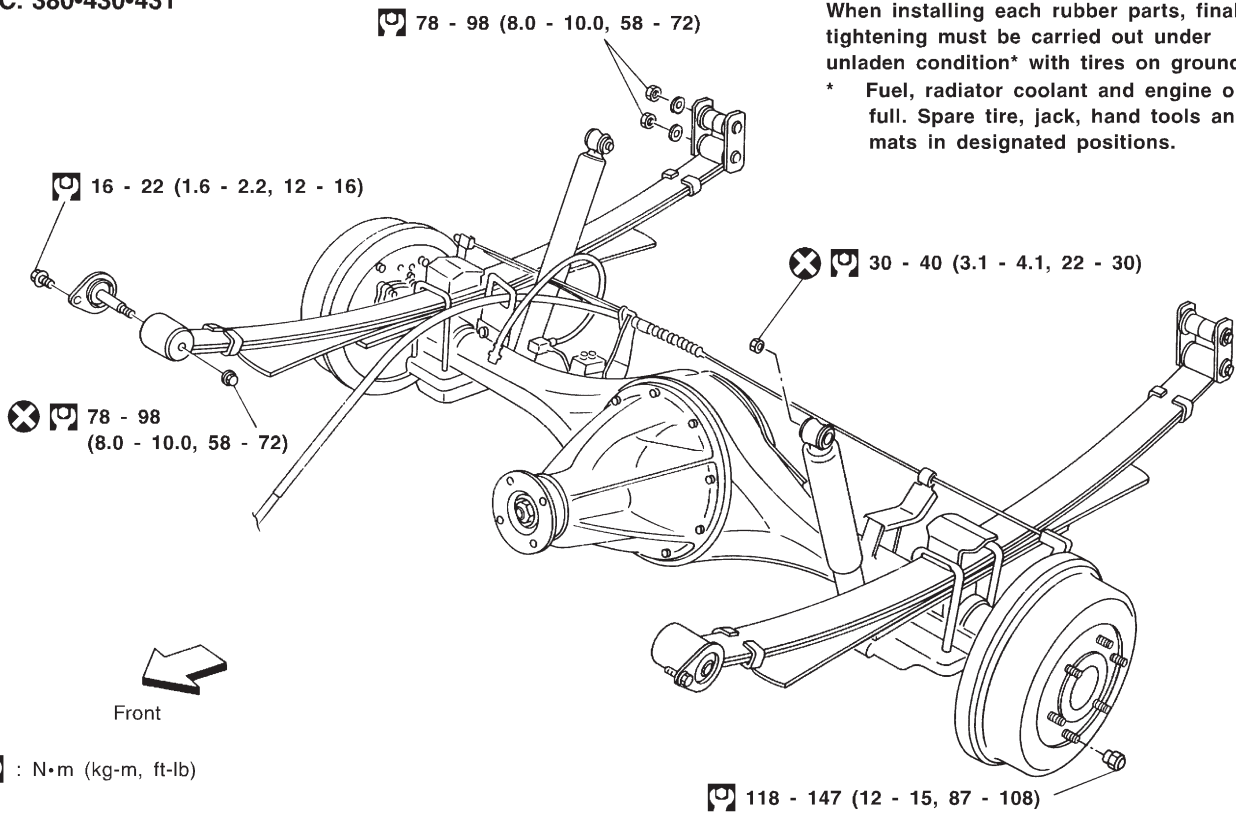
SEC. 380•430•431



SRA795A

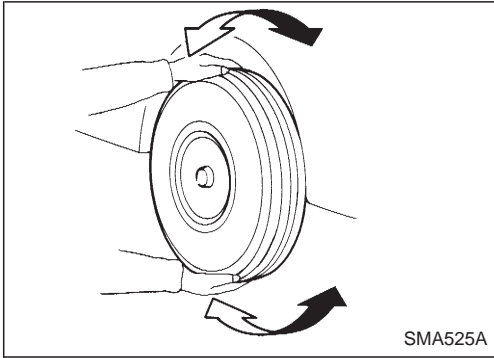
4WD

SEC. 380•430•431



SRA796A

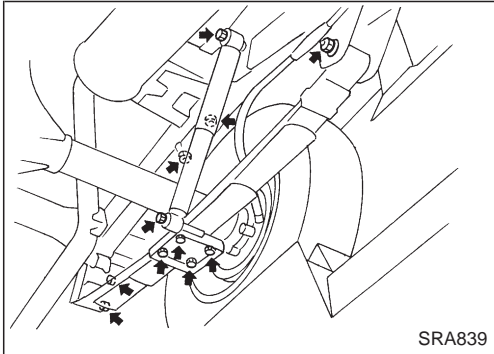
ON-VEHICLE SERVICE



Rear Axle and Rear Suspension Parts

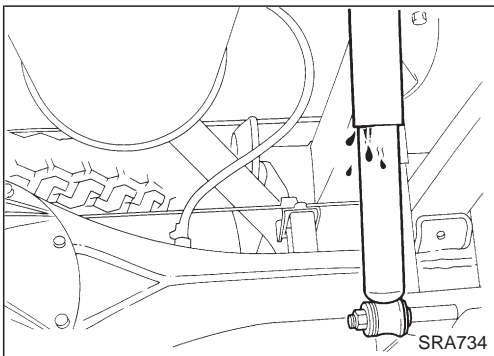
Check rear axle and rear suspension parts for excessive play, wear or damage.

- Shake each rear wheel to check for excessive play.

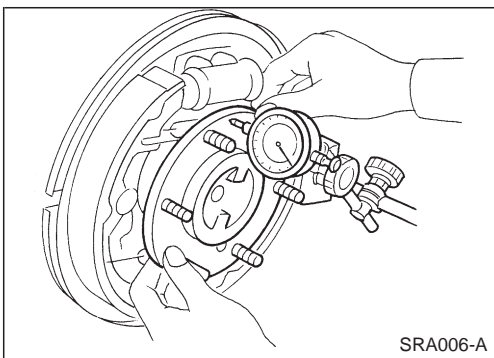


- Retighten all nuts and bolts to the specified torque.

: Refer to **REAR SUSPENSION, RA-12..**



- Check shock absorber for oil leakage or other damage.
- Check shock absorber bushing for excessive wear or other damage.



Rear Wheel Bearing

- Check that wheel bearings operate smoothly.
- Check axial end play.

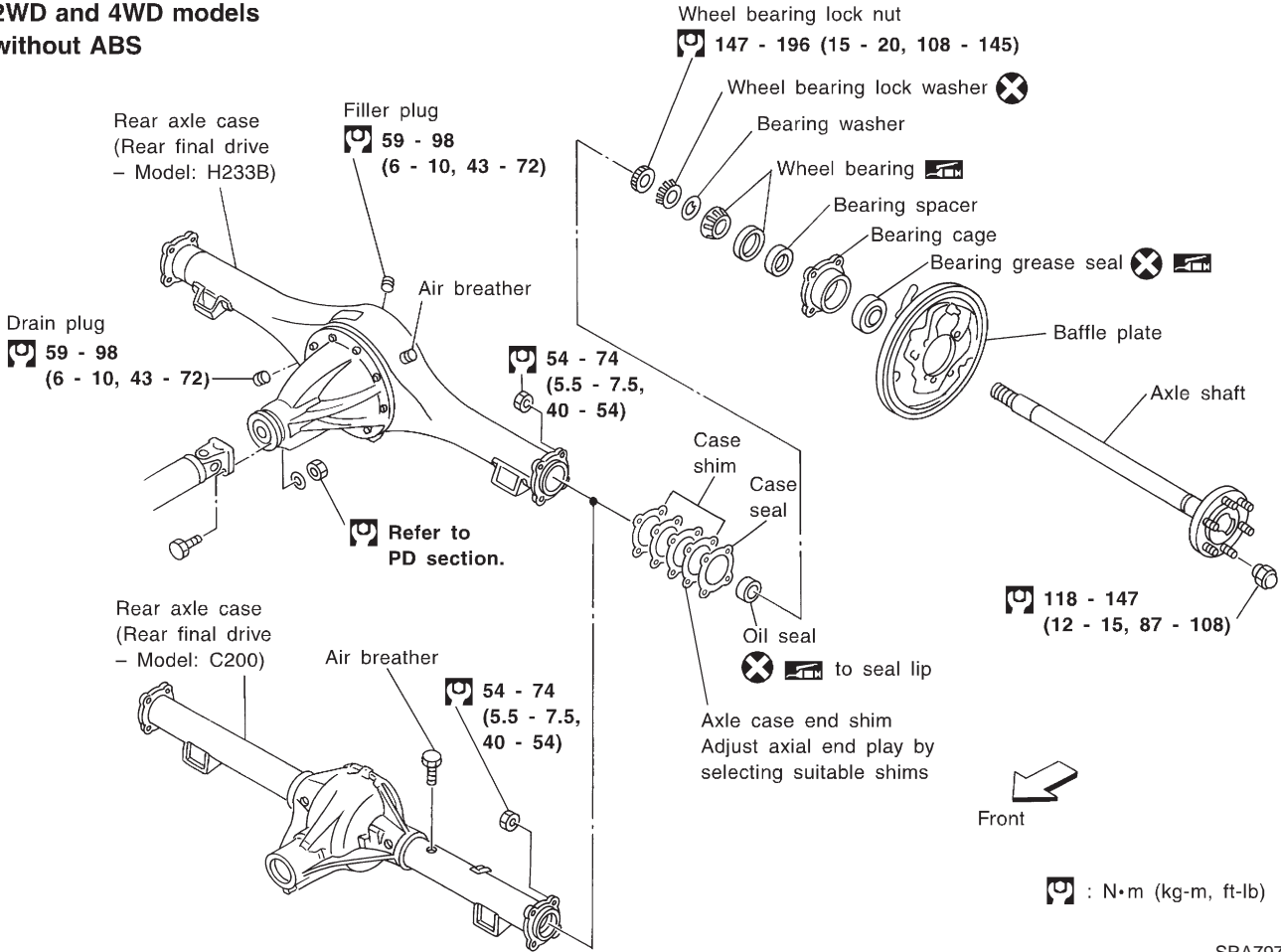
Axial end play:

Refer to SDS, RA-15.

REAR AXLE

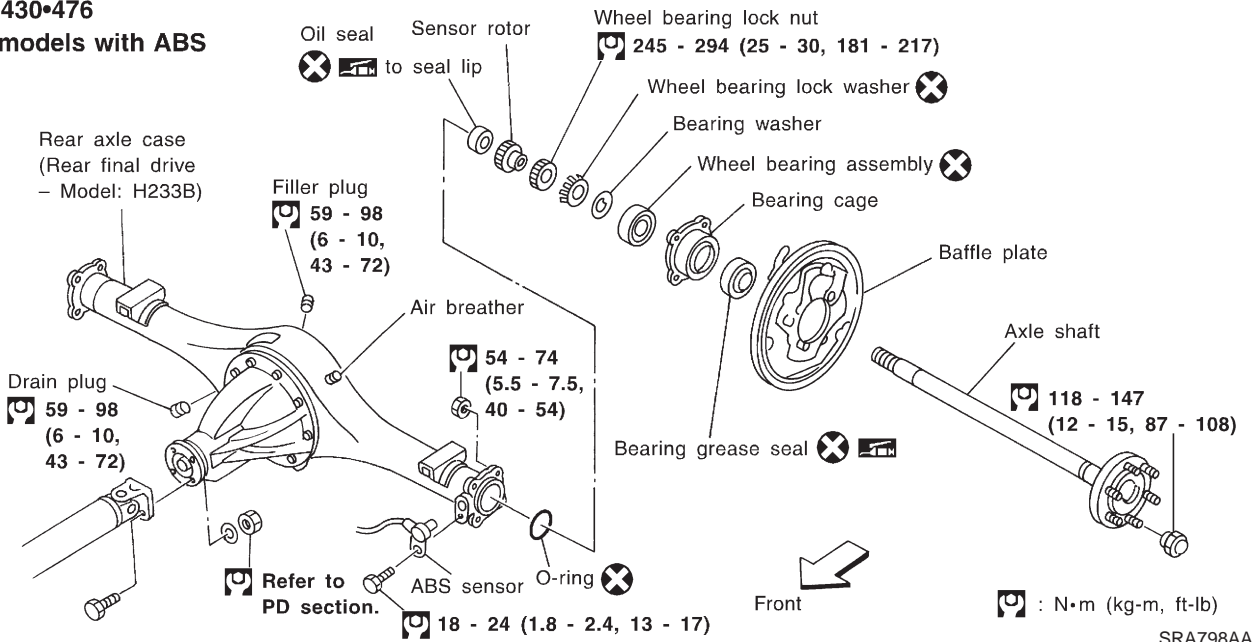
Components

SEC. 430 2WD and 4WD models without ABS



SRA797AA

SEC. 430•476 4WD models with ABS



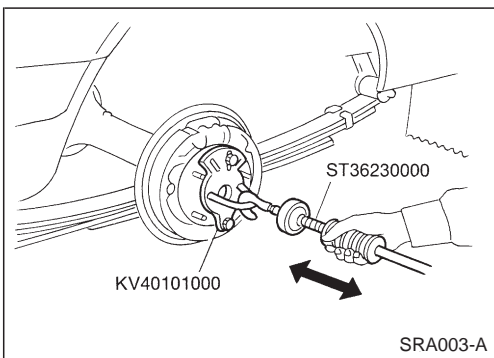
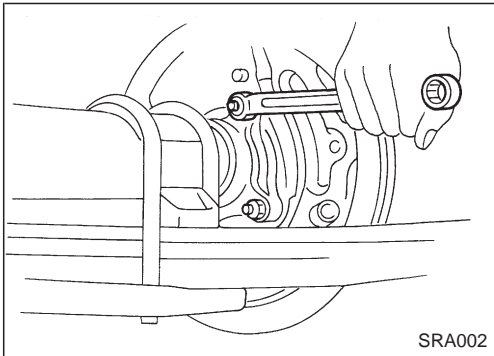
SRA798AA

REAR AXLE

Removal

- Before removing the rear axle, disconnect the ABS wheel sensor from the assembly. Then move it away from the axle. Failure to do so may result in damage to the sensor wires and the sensor becoming inoperative.
- Wheel bearing does not require maintenance.
- If growling noise is emitted from wheel bearing during operation, replace wheel bearing assembly.
- If the wheel bearing assembly is removed, it must be renewed. The old assembly must not be re-used.

1. Disconnect parking brake cable and brake tube.
2. Remove nuts securing wheel bearing cage with baffle plate.

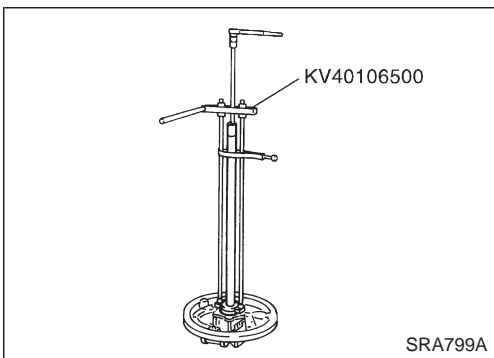


3. Draw out axle shaft with Tool.

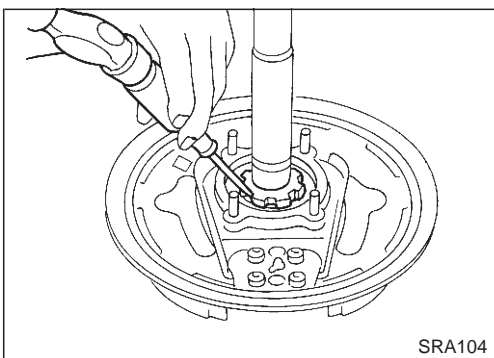
When drawing out axle shaft, be careful not to damage oil seal.

4. Remove case shim and case seal.
— 2WD and 4WD models without ABS —
5. Remove O-ring. — 4WD models with ABS —
6. Remove oil seal.

Do not reuse oil seal once it is removed. Always install new one.



7. Remove ABS sensor rotor. — 4WD models with ABS —

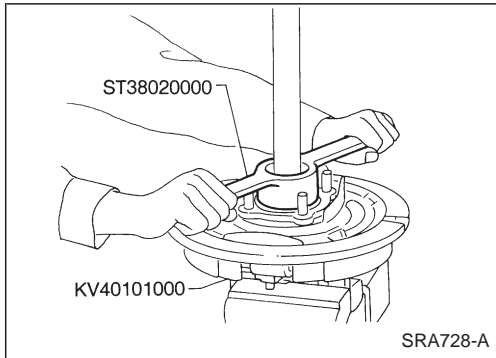


8. Unbend lock washer with a screwdriver.

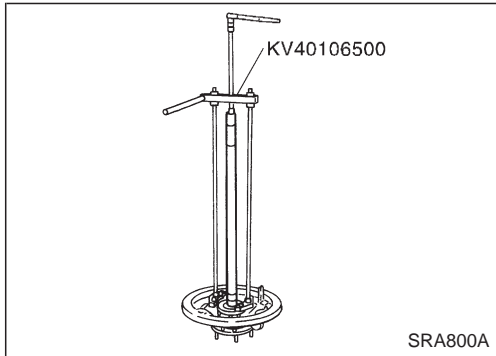
REAR AXLE

Removal (Cont'd)

9. Remove bearing lock nut with Tool.



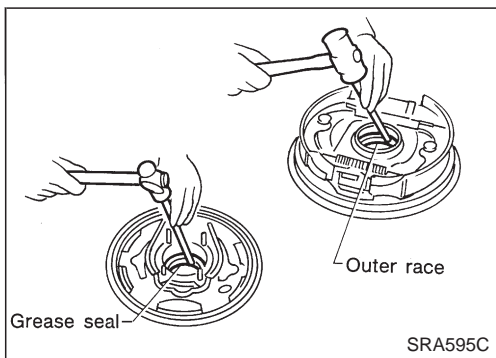
10. Remove wheel bearing together with bearing cage and baffle plate from axle shaft.



11. Remove grease seal in bearing cage with suitable bar.

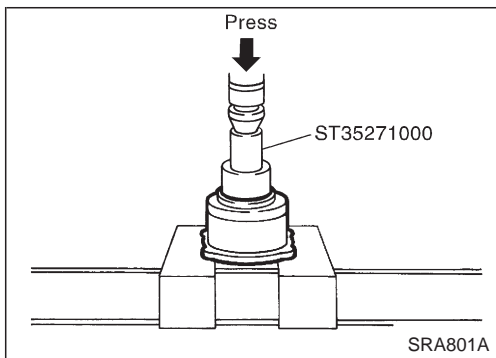
12. Remove wheel bearing outer race with a brass drift.

— 2WD and 4WD models without ABS —



13. Remove wheel bearing assembly.

— 4WD models with ABS —



REAR AXLE

Inspection

AXLE SHAFT

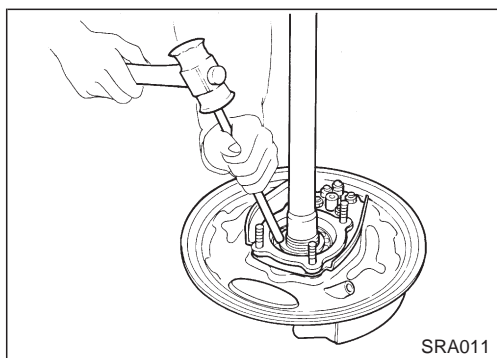
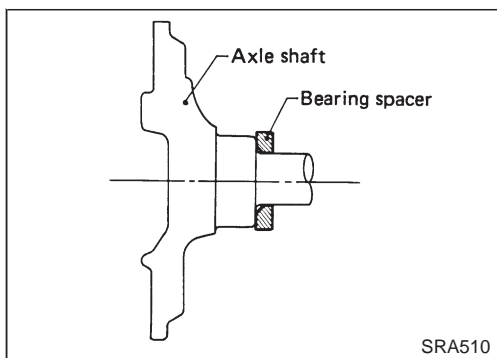
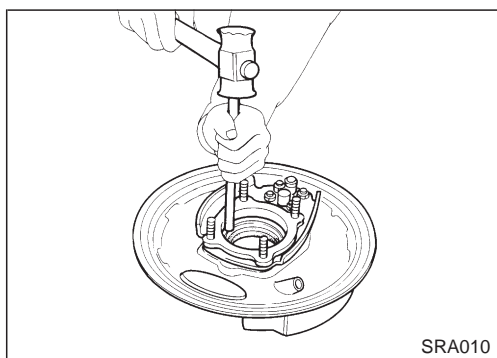
- Check axle shaft for straightness, cracks, damage, wear or distortion. Replace if necessary.

WHEEL BEARING

- Make sure wheel bearing rolls freely and is free from noise, cracks, pitting or wear.

AXLE CASE

- Check axle case for yield, deformation or cracks. Replace if necessary.



Installation — 2WD and 4WD models without ABS —

1. Install wheel bearing outer race with a brass drift.
2. Install a new grease seal in bearing cage.

After installing new grease seal, coat sealing lip with multi-purpose grease.

3. Install bearing spacer with chamfer side facing axle shaft flange.

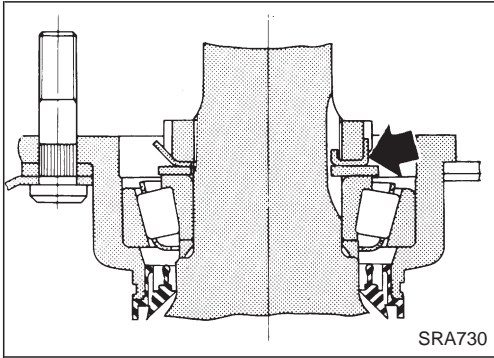
4. Install wheel bearing inner race with a brass drift.
5. Coat each bearing cone with multi-purpose grease.

Specified amount of grease:

8 - 12 g (0.28 - 0.42 oz)

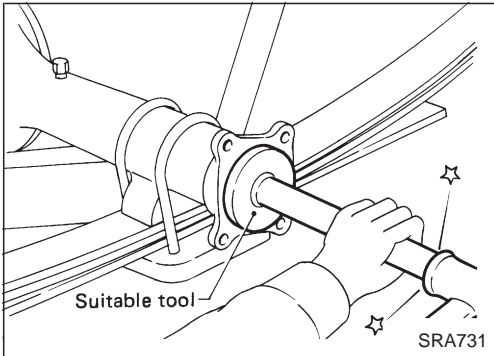
REAR AXLE

Installation — 2WD and 4WD models without ABS — (Cont'd)

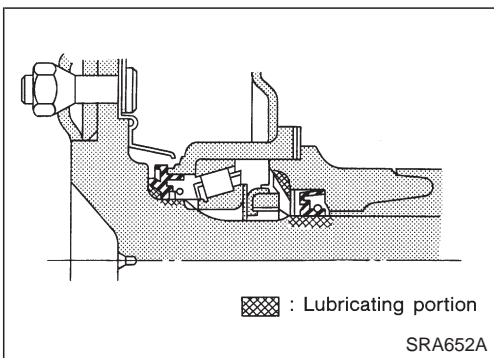


6. Install plain washer and a new wheel bearing lock washer.
7. Tighten wheel bearing lock nut.

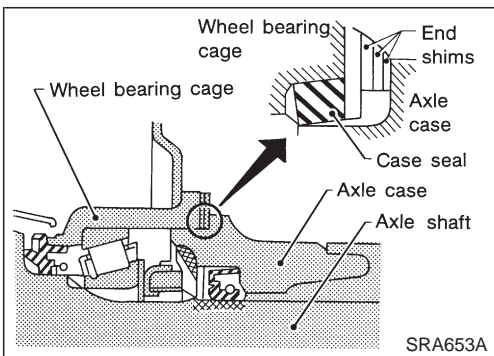
Fit wheel bearing lock washer lip in wheel bearing lock nut groove correctly by tightening lock nut. Be sure to bend it up.



8. Install a new oil seal with suitable tool.
After installing new oil seal, coat sealing lip with multi-purpose grease.



9. Apply recess of axle case end with multi-purpose grease.
10. Apply gear oil to the spline of axle shaft. Coat seal surface of axle shaft with multi-purpose grease (as shown left).



11. Adjust axial end play.

- a. Select end shims.

Standard thickness: 1.5 mm (0.059 in)

Axle case end shim: Refer to SDS, RA-15.

Do not insert end shims between case seal and bearing cage.

- b. Insert axle shaft with Tool as a guide.

When inserting axle shaft, be careful not to damage oil seal.

- c. Measure end play of axle shaft.

Axial end play:

Servicing one side axle

0.02 - 0.15 mm (0.0008 - 0.0059 in)

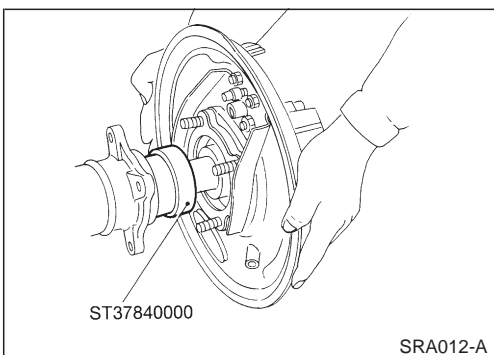
Servicing both side axles

On first axle (right or left)

0.30 - 0.90 mm (0.0118 - 0.0354 in)

On second axle

0.02 - 0.15 mm (0.0008 - 0.0059 in)

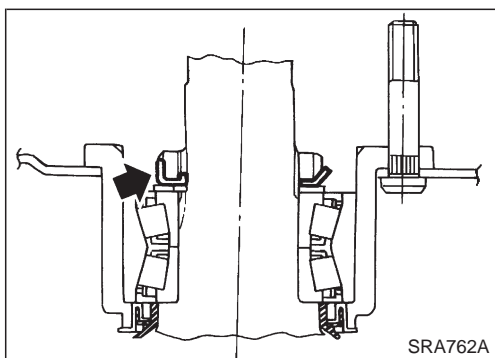
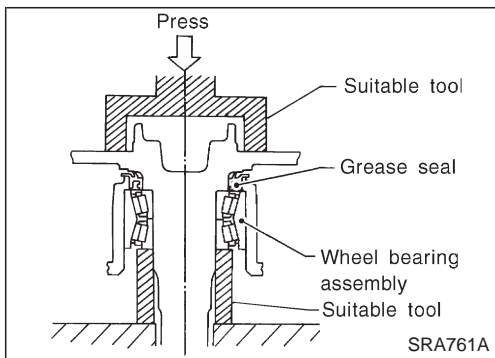
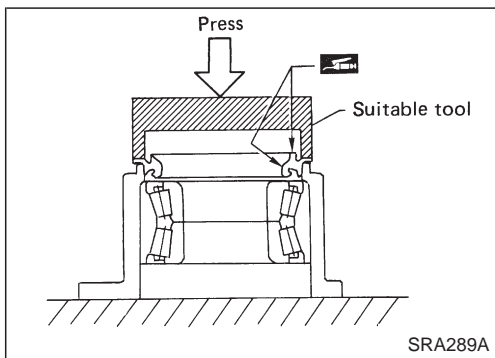
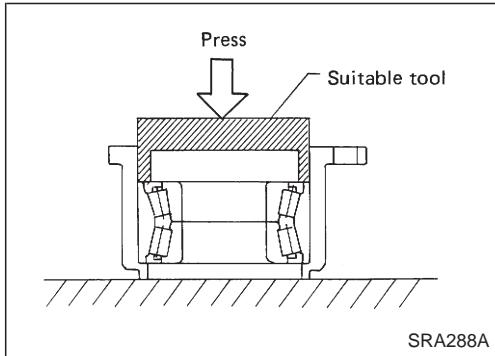


REAR AXLE

Installation — 2WD and 4WD models without ABS — (Cont'd)

- d. If axial end play is not within the specified limit, reselect axle case end shims.

If the difference between the left and right shim thicknesses is more than 1.0 mm (0.039 in), adjust the shim thickness by adding or removing shims on the side of the shim (installed first) until the difference is less than 1.0 mm (0.039 in).



Installation — 4WD models with ABS —

1. Press new wheel bearing until it bottoms end face of bearing cage.

Maximum load P:

78 kN (8 ton, 8.8 US ton, 7.9 Imp ton)

Always press outer race of wheel bearing during installation.

2. Press new grease seal until it bottoms end face of bearing cage.

After installing new grease seal, coat sealing lip with multi-purpose grease.

3. Press axle shaft into inner race of wheel bearing.

Maximum load P:

47.1 kN (4.8 ton, 5.3 US ton, 4.72 Imp ton)

Be careful not to damage or deform grease seal.

4. Install plain washer and a new wheel bearing lock washer.

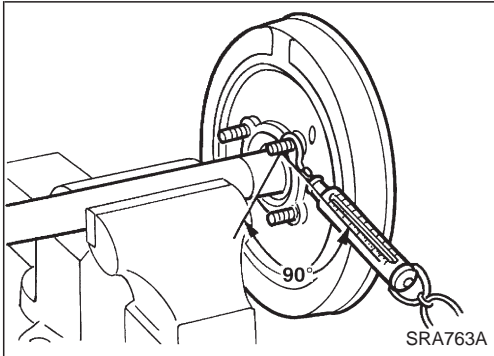
5. Tighten wheel bearing lock nut to specified torque.

Ⓜ: 245 - 294 (25 - 30 kg-m, 181 - 217 ft-lb)

Fit wheel bearing lock washer lip in wheel bearing lock nut groove correctly by tightening lock nut. Be sure to bend it up.

REAR AXLE

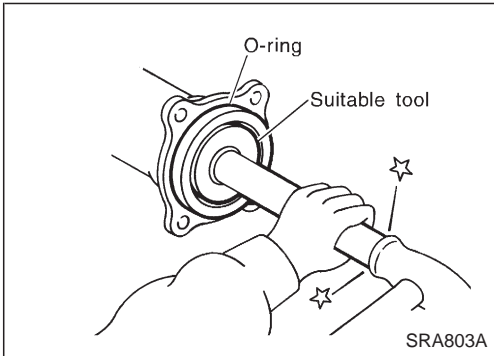
Installation — 4WD models with ABS — (Cont'd)



6. Check wheel bearing preload.
 - a. Turn bearing cage (with respect to axle shaft) two or three times. It must turn smoothly.
 - b. Attach spring gauge to bearing cage bolt (as shown at left) and pull it at a speed of 10 rpm to measure preload.

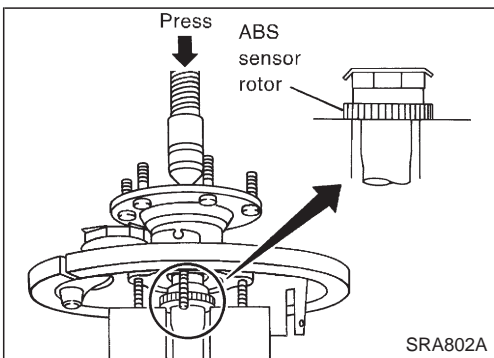
Spring gauge indication:

6.9 - 48.1 N (0.7 - 4.9 kg, 1.5 - 10.8 lb)

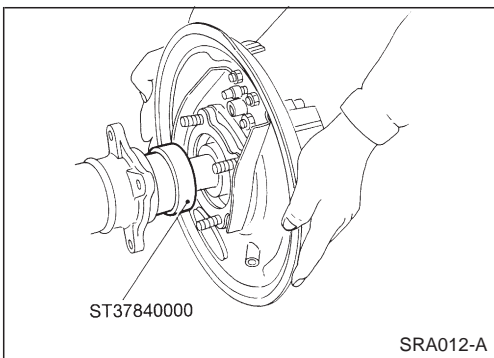


7. Install new oil seal to rear axle housing using a suitable tool.
After installing new oil seal, coat sealing lip with multi-purpose grease.

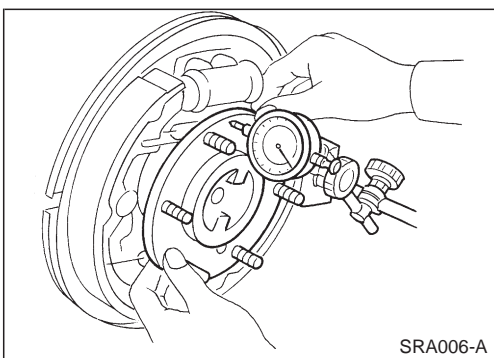
8. Install new O-ring to rear axle housing.



9. Press ABS sensor rotor onto axle shaft until it contacts wheel bearing lock nut.



10. Position axle shafts in rear axle housing with Tool as a guide.
Be careful not to damage oil seal.



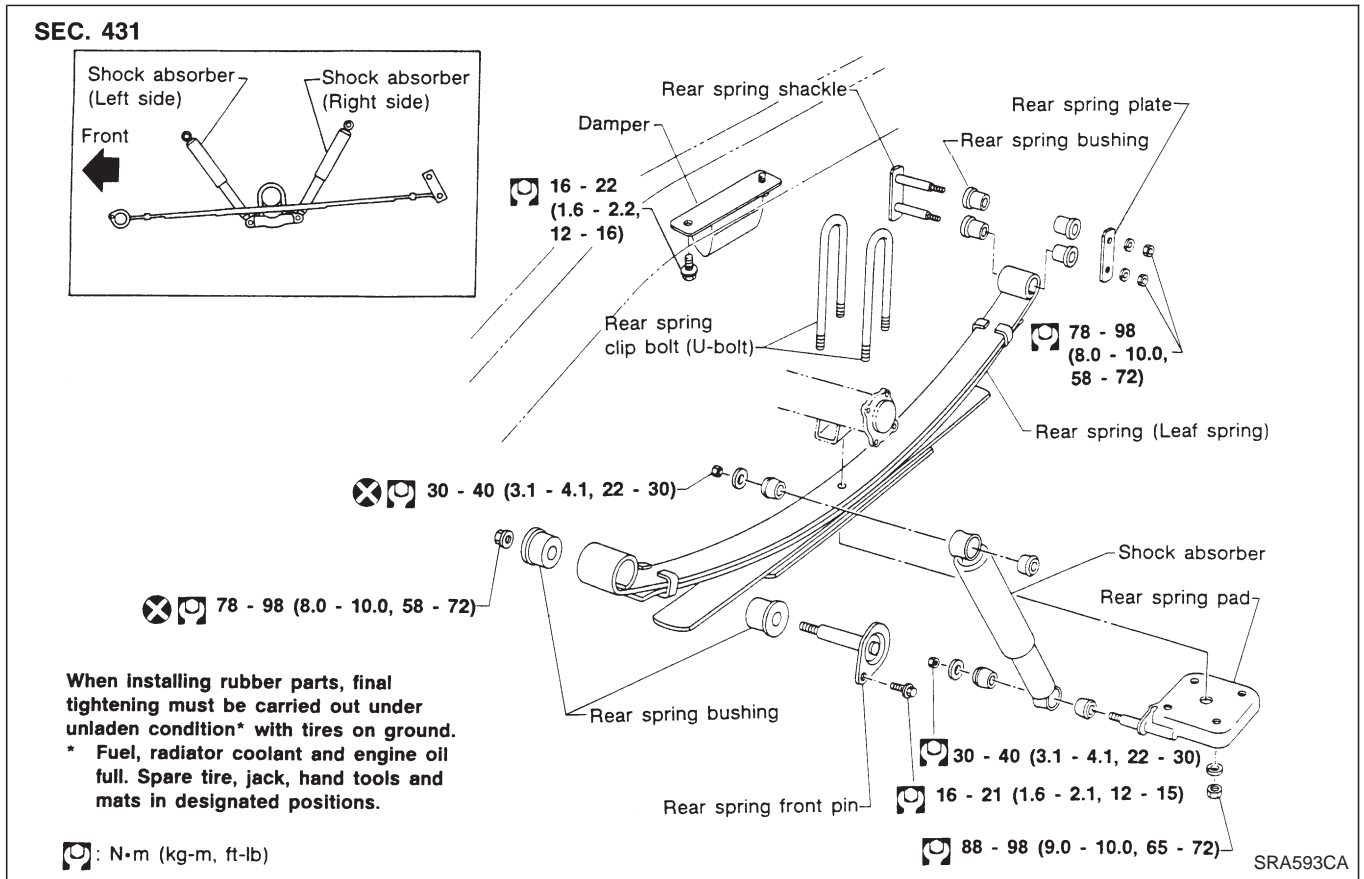
11. Check axial end play.
 - a. Check that wheel bearings operate smoothly.
 - b. Check axial end play.

Axial end play:

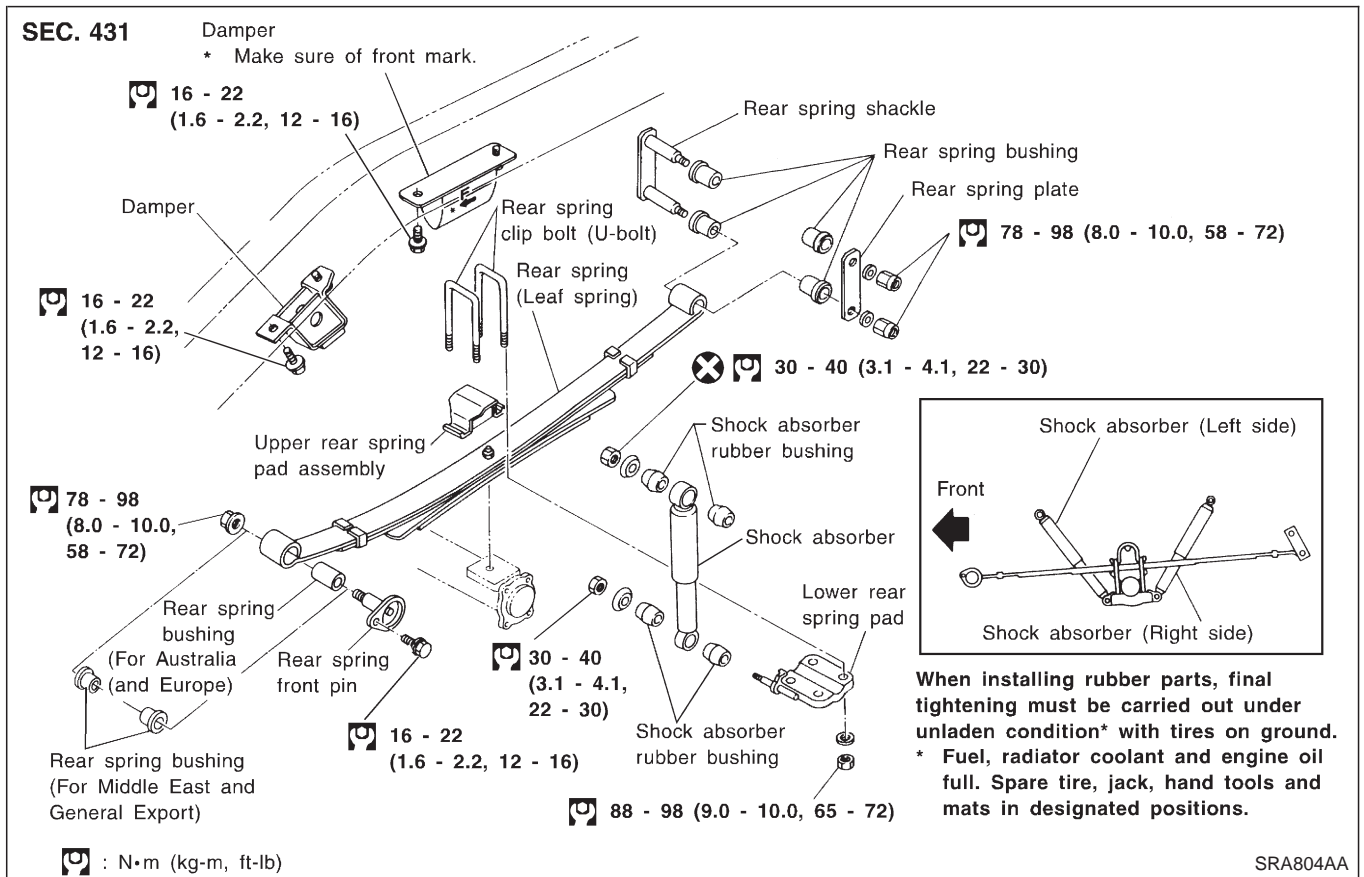
0 mm (0 in)

REAR SUSPENSION

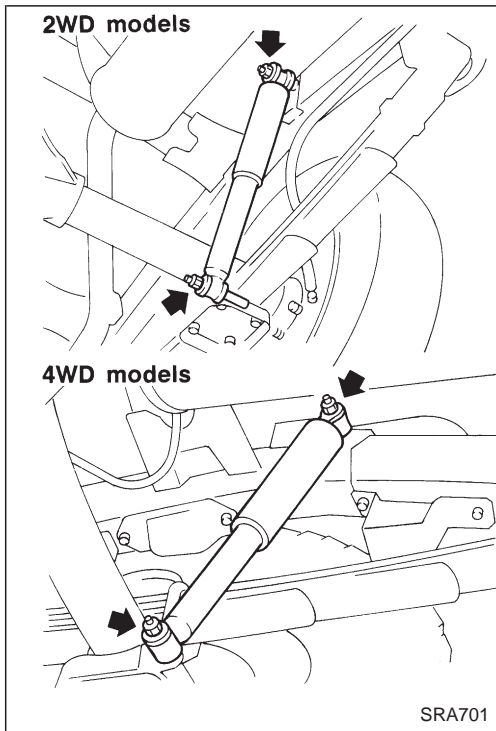
2WD



4WD



REAR SUSPENSION



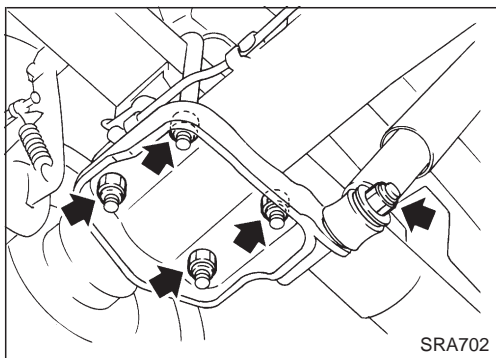
Shock Absorber

REMOVAL AND INSTALLATION

- Remove shock absorber by disconnecting upper and lower end.

INSPECTION

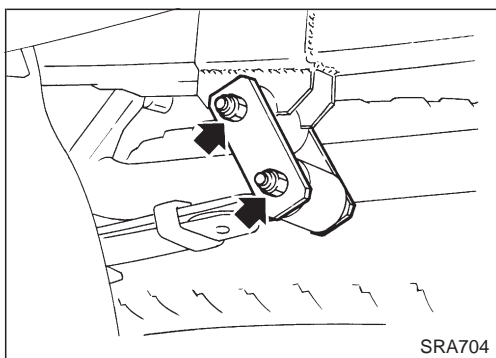
- If oil leakage, cracks or deformation occurs, replace shock absorber assembly.
- If rubber bushings are cracked or deformed, replace rubber bushings.



Leaf Spring

REMOVAL AND INSTALLATION

1. Disconnect shock absorber lower end, and remove U-bolts.

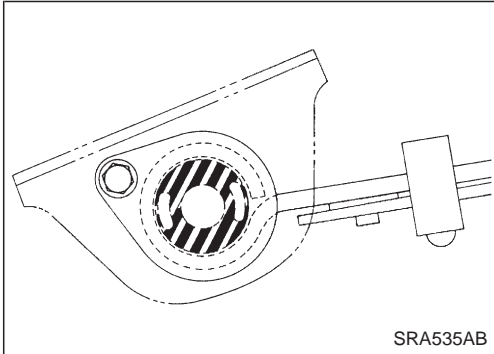
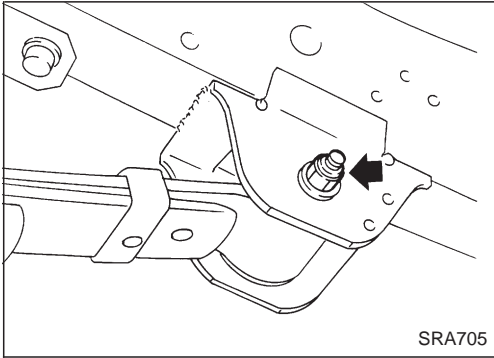


2. Disconnect spring shackle.

REAR SUSPENSION

Leaf Spring (Cont'd)

3. Disconnect front pin.

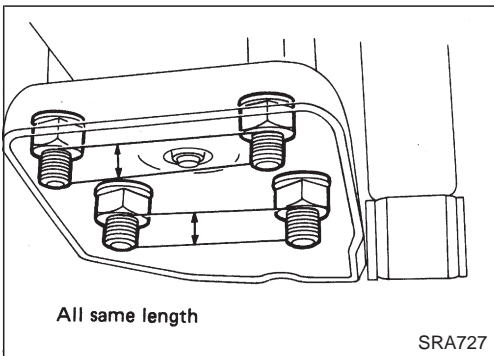


INSPECTION

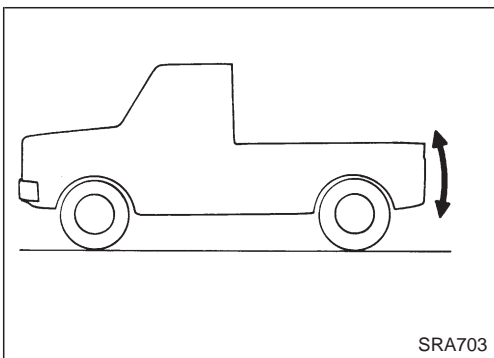
- Check leaf spring for cracks. Replace if necessary.
- Check front bracket and pin, shackle, U-bolts and spring pad for wear, cracks, straightness or damaged threads. Replace if necessary.
- Check all bushings for deformation or cracks. Replace if necessary.
[4WD models for Australia and Europe: Rear spring front bushing]
Make sure that front bushing is properly installed.

INSTALLATION

1. Apply soapsuds to rubber bushing.
2. Install spring shackle and front pin, and finger tighten the nuts.
3. Install spring pad and nuts under leaf spring or axle case.
4. Tighten U-bolt mounting nuts diagonally.
Tighten U-bolts so that the lengths of all U-bolts under spring pad are the same.
5. Install shock absorber, and finger tighten the nuts.



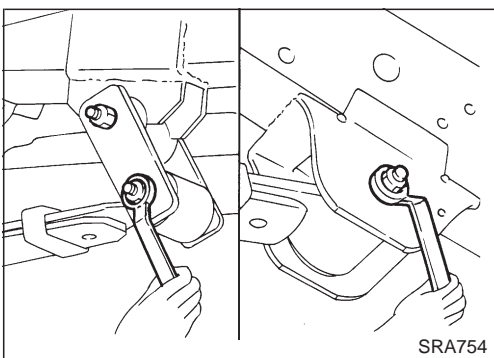
6. Remove stands and bounce the vehicle to stabilize suspension. (Unladen)



7. Tighten spring shackle nuts, front pin nuts and shock absorber nuts.

When installing rubber parts, final tightening must be carried out under unladen condition* with tires on the ground.

* Fuel, radiator coolant and engine oil full. Spare tire, jack, hand tools and mats in designated positions.



SERVICE DATA AND SPECIFICATIONS (SDS)

General Specifications

Suspension type	Rigid axle with semi-elliptic leaf spring
Shock absorber type	Double-acting hydraulic

Inspection and Adjustment

WHEEL BEARING — 2WD and 4WD models without ABS

Total end play	mm (in)	0.02 - 0.15 (0.0008 - 0.0059)	
Available rear axle case end shims	Thickness	Part number	
	mm (in)		
	0.05 (0.0020)	43086-P0110	
	0.07 (0.0028)	43087-P0110	
	0.10 (0.0039)	43088-P0110	
	0.15 (0.0059)	43086-B9500	
	0.20 (0.0079)	43089-P0110	
	0.50 (0.0197)	43090-P0110	
1.00 (0.0394)	43036-01G00		

WHEEL BEARING — 4WD models with ABS

Total end play	mm (in)	0 (0)
Wheel bearing preload at bearing cage bolt	N (kg, lb)	6.9 - 48.1 (0.7 - 4.9, 1.5 - 10.8)